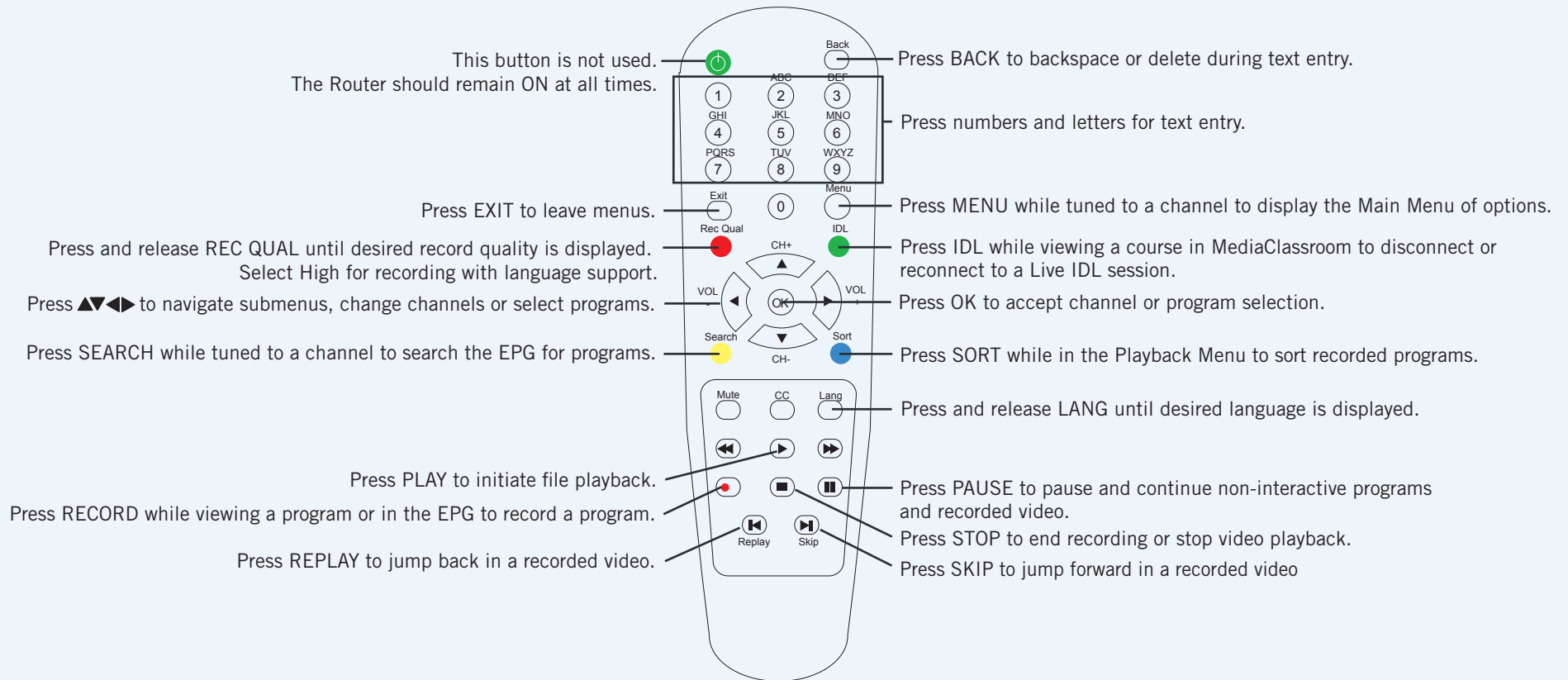


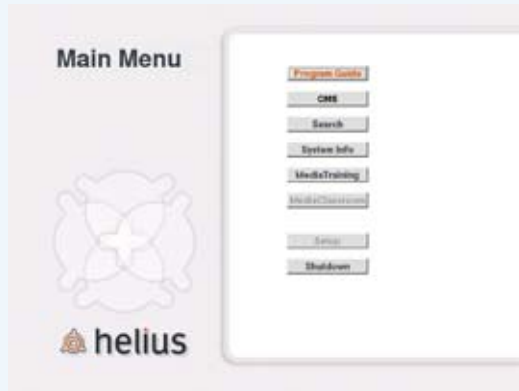
QUICK REFERENCE CARD

USING THE REMOTE CONTROL



OPEN MAIN MENU

1. Press EXIT on the remote control to step out of the current menu and display a live channel.
2. Press MENU to display the Main Menu.



3. Press the ▲ up and ▼ down arrows on the remote control to select from the Main Menu.
4. Press OK when the desired selection is highlighted orange.

PROGRAM GUIDE opens the Electronic Program Guide (EPG)--a list of active channels and programs available to the viewer.

CMS opens the Content Menu System. CMS contains the list of pre-recorded video including OnDemand sessions.

SEARCH opens an interface to enter search criteria in order to find a specific program and the associated date(s) and time(s).

SYSTEM INFO initiates a command to the system to create a summary page of system information that can be used for diagnosis and troubleshooting.

MEDIATRaining is a licensed application that enables individualized video based training courses.

SETUP provides the ability to manually enter registration information. This feature may not be available.

SHUTDOWN initiates a controlled shutdown of the Router.

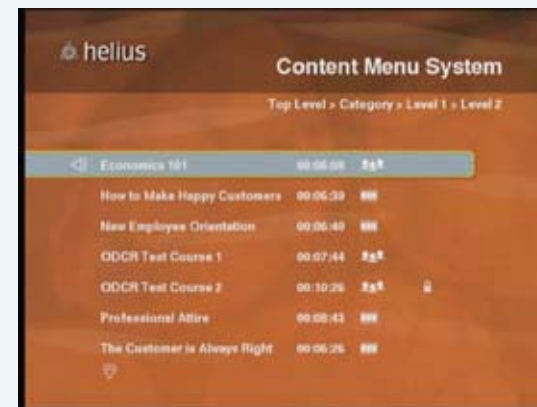
VIEW CHANNELS

1. Select a channel or program from the Electronic Program Guide by pressing the ▲▼◀▶ arrow keys to highlight the desired channel.
2. Press OK to accept the selection. If a channel or program is not currently active, the event information screen will display.



PLAY RECORDED VIDEO

1. Select CMS in the Main Menu to open the Content Menu System.



2. Press the ▲ up and ▼ down arrows to highlight the selection. The 📺 video icon represents recorded video available for playback.
3. Press PLAY ⏪ to initiate video playback.